



**WILDCAT™**

Winchester® Wildcat™ Autoloading Rifle Owner's Manual

Important instructions for the

# Winchester® Wildcat™ Autoloading Rifle

Winchester Repeating Arms  
Customer Service Department (United States)  
275 Winchester Avenue  
Morgan, UT 84050-9333  
Phone: (800) 945-5237  
Email: customersupport@winchesterguns.com

If you have any questions or comments regarding  
your new firearm, please feel free to write or call us.  
Use the space below to record information about your  
new firearm.

Model \_\_\_\_\_

Serial Number \_\_\_\_\_

Purchased From \_\_\_\_\_

Date of Purchase \_\_\_\_\_

Winchester is a registered trademark of Olin Corporation.

Specifications within this owner's manual are correct at the time of printing and  
subject to change without notice.

<b>Contents</b>	<b>Page</b>
State Warning . . . . .	1
WARNING: You Are Responsible For Firearms Safety . .	1
General Description and Operation . . . . .	6
Nomenclature . . . . .	7
Serial Number . . . . .	7
Initial Cleaning and Oiling . . . . .	8
Operation of the "Safety" . . . . .	8
Bolt Lock and Bolt Release . . . . .	9
Ammunition . . . . .	12
Magazine . . . . .	13
Loading . . . . .	14
Firing . . . . .	17
Unloading . . . . .	18
Sight Adjustment . . . . .	19
Mounting a Scope . . . . .	20
Installing Accessories on the Fore-End . . . . .	20
Muzzle Brakes and Suppressors . . . . .	21
Cleaning and Maintenance Suggestions . . . . .	22
Parts, Service, Repair and Questions . . . . .	27
Website Information . . . . .	28

## STATE WARNING

---

According to state law, California requires that firearm manufacturers, distributors and retailers include conspicuous, specific warnings with firearms sold in that state.

### **WARNING**

Firearms must be handled responsibly and securely stored to prevent access by children and other unauthorized users.

California has strict laws pertaining to firearms, and you may be fined or imprisoned if you fail to comply with them. Visit the Web site of the California Attorney General at <https://oag.ca.gov/firearms> for information on firearm laws applicable to you and how you can comply.

Prevent child access by always keeping guns locked away and unloaded when not in use. If you keep a loaded firearm where a child obtains and improperly uses it, you may be fined or sent to prison.

### **ADVERTENCIA**

Las armas de fuego deben de ser manipuladas responsablemente y almacenadas en sitios seguros para prevenir el acceso a ellas por parte de niños y personas sin autorización.

California cuenta con leyes estrictas sobre las armas de fuego, y puede ser multado y encarcelado si no las obedece. Visite la página web de California Attorney General, <https://oag.ca.gov/firearms> para más información sobre cómo cumplir con las leyes de armas de fuego.

Prevenja el acceso de los niños a las armas de fuego manteniéndolas siempre en un lugar seguro, bajo llave y descargadas cuando no estén en uso. Si usted deja un arma cargada al alcance de un niño, y éste la utiliza indebidamente, usted podría ser multado e incluso enviado a la cárcel.

## **WARNING: YOU ARE RESPONSIBLE FOR FIREARMS SAFETY**

---

### **WARNING**

**FAILURE TO FOLLOW ANY OF THE FOLLOWING WARNINGS COULD RESULT IN SERIOUS INJURY OR DEATH.**

As a firearm owner, you accept a set of demanding responsibilities. How seriously you take these responsibilities can be the difference between life and death.

There is no excuse for careless or abusive handling of any firearm. At all times handle this firearm and all other firearms with intense respect for their power and potential danger.

Please read and understand all of the cautions, warnings, notices, proper handling procedures and instructions outlined in this owner's manual before using your new firearm.

- 1 ALWAYS KEEP THE MUZZLE OF YOUR FIREARM POINTED IN A SAFE DIRECTION EVEN THOUGH YOU ARE CERTAIN IT IS UNLOADED.**  
Never point any firearm at anything you do not intend to shoot. Be extremely alert and aware of all persons and property within the range of your ammunition.
- 2 NEVER RELY TOTALLY ON YOUR FIREARM'S MECHANICAL "SAFETY" DEVICE. LIKE ANY MECHANICAL DEVICE, A "SAFETY" CAN SOMETIMES FAIL; IT CAN BE JARRED OR INADVERTENTLY MANIPULATED INTO AN UNSAFE CONDITION.**  
The word "safety" describes a firearm's trigger block mechanism, sear block mechanism, hammer block mechanism or firing pin block mechanism.

Mechanical “safeties” are designed to place your firearm in a safer status, and no guarantee can be made that the firearm will not fire even if the “safety” is in the on safe position. Mechanical “safeties” merely aid safe gun handling and are no excuse for pointing your firearm’s muzzle in an unsafe direction. See “Operation of the ‘Safety’” on pages 8-9 for instructions on the operation of this firearm’s “safety.”

Remember, safe gun handling does not stop with your firearm’s mechanical “safety” devices, it starts there. Always treat this firearm with the respect due a loaded, ready-to-fire firearm.

Some firearms do not have a mechanical “safety.” Many target firearms, lever-action firearms and pistols do not have manual “safety” mechanisms. Therefore it is critical to read and understand the owner’s manual for every firearm which explains the safe operation of the firearm.

While it is a good idea to “test” your firearm’s mechanical “safety” periodically for proper function, never test the “safety” while your firearm is loaded or pointed in an unsafe direction.

- 3 WHENEVER YOU HANDLE ANY FIREARM, OR HAND IT TO SOMEONE, ALWAYS OPEN THE ACTION IMMEDIATELY AND VISUALLY CHECK THE FIREARM'S CHAMBER TO MAKE CERTAIN THAT THE FIREARM IS COMPLETELY UNLOADED.**

Make certain the firearm does not inadvertently contain any ammunition. Remember, merely removing the magazine does not mean the chamber is unloaded. Always keep the chamber empty and the “safety” in the on safe position unless shooting is imminent.

- 4 ALWAYS WEAR EAR AND EYE PROTECTION WHEN SHOOTING.**

Unprotected, repeated exposure to gunfire can cause hearing damage. Wear hearing protection (shooting earplugs or muffs) to guard against such damage.

Wear shooting glasses to protect your eyes from flying particles. Allow proper distance (eye relief) between a scope and your eye when firing a scoped pistol, rifle or shotgun. Do not use unorthodox shooting methods that could cause the rearward travel of the slide or bolt of a firearm to contact your eyes, face or hands. Always keep a safe distance between the muzzle of your firearm and any persons nearby, as muzzle blast, debris and ejecting cartridges could inflict serious injury.

Always wear eye protection when disassembling and cleaning any firearm to prevent the possibility of springs, spring-tensioned parts, solvents or other agents from contacting your eyes.

- 5 KEEP ALL FIREARMS UNLOADED DURING TRANSPORT, EVEN WHEN STORED IN A HOLSTER, GUN CASE, SCABBARD OR OTHER CONTAINER.**

**6 DROPPING OR JARRING A LOADED FIREARM CAN CAUSE ACCIDENTAL DISCHARGE.**

This can occur even with the “safety” in the on safe position. Be extremely careful while hunting or during any shooting activity to avoid dropping any firearm.

**7 HUNTING FROM ELEVATED SURFACES SUCH AS TREESTANDS IS DANGEROUS.**

Doing so may increase the risk of mishandling a firearm. The following rules should always be observed by you and those you hunt with. Always make certain that the stand being used is safe and stable. Always make certain that your firearm is unloaded when it is being taken up and down from the stand. Always make certain that your firearm is not dropped from the stand, or dropped while it is being taken up or down from the stand. Remember, a loaded firearm may discharge when dropped, even with the “safety” in the on safe position.

**8 STORE YOUR FIREARM AND AMMUNITION SEPARATELY, WELL BEYOND THE REACH OF CHILDREN.**

Take prudent safeguards to ensure your firearm does not become available to untrained, inexperienced or unwelcome hands. Store all firearms in secure, locked cases or a gun safe. Keep your firearm unloaded when not in use.

**9 BEWARE OF BARREL OBSTRUCTIONS.**

Mud, snow and an infinite variety of other objects may inadvertently lodge in a barrel bore. It only takes a small obstruction to cause dangerously increased pressures that can damage your firearm and cause serious injury to yourself and others.

**BEFORE CHECKING FOR A BARREL OBSTRUCTION, BE CERTAIN YOUR FIREARM IS COMPLETELY UNLOADED, THERE IS NOT A LIVE CARTRIDGE IN THE CHAMBER AND THE “SAFETY” IS IN THE ON SAFE POSITION.**

After assuring yourself that the firearm is completely unloaded, open the breech or action and look through the barrel to be sure it is clear of obstructions. If an obstruction is seen, no matter how small it may be, clean the bore with a cleaning rod and patch as described on pages 22-25 of this owner’s manual.

**10 BE ALERT TO THE SIGNS OF AMMUNITION MALFUNCTION. IF YOU DETECT AN OFF SOUND OR LIGHT RECOIL WHEN A CARTRIDGE IS FIRED, DO NOT LOAD ANOTHER CARTRIDGE INTO THE CHAMBER.**

If your firearm fails to fire, keep the muzzle pointed in a safe direction for a minimum of 30 seconds. Rotate the ejection area of the firearm away from you, carefully open the action and remove the cartridge from the chamber. If the primer is indented, the defective cartridge should be disposed of in a way that cannot cause harm. If the primer is not indented, your

firearm should be examined by a qualified gunsmith and the cause of the malfunction corrected before further use. Glance down the barrel to make sure that no obstructions remain in the barrel. Completely clear the barrel before loading and firing again. Failure to follow these instructions can cause extensive damage to your firearm and possible serious injury to yourself and others.

**11 NEVER INSERT A CARTRIDGE OF THE INCORRECT CALIBER INTO ANY FIREARM.**

The caliber of your firearm is marked on the barrel. Store all cartridges of different calibers in completely separate and well-marked containers. Never store cartridges of mixed calibers in a common container or in your pockets. See pages 12-13 for more information on the correct ammunition for your firearm.

**12 EXAMINE EVERY CARTRIDGE YOU PUT IN YOUR FIREARM.**

We assume no responsibility for the use of unsafe or improper firearm and ammunition combinations or damage or injury caused by damaged ammunition. It is your responsibility to read and heed all warnings in this owner's manual and on ammunition boxes. See pages 12-13 for more information on the correct ammunition for your firearm.

**13 USE ONLY SAAMI APPROVED AMMUNITION.**

The barrel and action of this firearm have been made with safety margins over the pressures established by

the Sporting Arms and Ammunition Manufacturers' Institute (SAAMI) for Service Cartridges. However, we assume no responsibility for incidents which occur through the use of cartridges of nonstandard dimension or those developing pressures in excess of SAAMI established standards.

**14 DISCHARGING FIREARMS IN POORLY VENTILATED AREAS, CLEANING FIREARMS OR HANDLING AMMUNITION MAY RESULT IN EXPOSURE TO LEAD AND OTHER SUBSTANCES KNOWN TO CAUSE BIRTH DEFECTS, REPRODUCTIVE HARM AND OTHER SERIOUS PHYSICAL INJURY. HAVE ADEQUATE VENTILATION AT ALL TIMES. WASH HANDS THOROUGHLY AFTER EXPOSURE.**

**15 DO NOT SNAP THE FIRING PIN ON AN EMPTY CHAMBER; THE CHAMBER MAY NOT BE EMPTY!**

Treat every firearm with the respect due a loaded firearm, even though you are certain the firearm is unloaded.

**16 KEEP YOUR FINGERS AWAY FROM THE TRIGGER WHILE LOADING AND UNLOADING UNTIL SHOOTING IS IMMINENT.**

**17 BE SURE OF YOUR TARGET AND BACKSTOP, PARTICULARLY DURING LOW LIGHT PERIODS.**

Know the range of your ammunition. Never shoot at water or hard objects.

**18 ALWAYS UNLOAD YOUR FIREARM'S CHAMBER BEFORE CROSSING A FENCE, CLIMBING A TREE, JUMPING A DITCH OR NEGOTIATING OTHER OBSTACLES.**

Never place your firearm on or against a fence, tree, car or other similar object.

**19 BE DEFENSIVE AND ON GUARD AGAINST UNSAFE GUN HANDLING AROUND YOU AND OTHERS.**

Don't be timid when it comes to firearm safety. If you observe other shooters violating any of these safety precautions, politely suggest safer handling practices.

**20 BE CERTAIN YOUR FIREARM IS UNLOADED BEFORE CLEANING.**

Because so many firearm accidents occur when a firearm is being cleaned, special and extreme care should be taken to be sure your firearm is unloaded before disassembly, cleaning and reassembly.

Keep ammunition away from the cleaning location. Never test the mechanical function of any firearm with live ammunition.

**21 TEACH AND SUPERVISE FIREARMS SAFETY TO ALL MEMBERS OF YOUR FAMILY, ESPECIALLY TO CHILDREN AND NON-SHOOTERS.**

Closely supervise newcomers to the shooting sports. Encourage enrollment in hunting and shooting safety courses.

**22 NEVER DRINK ALCOHOLIC BEVERAGES OR TAKE ANY TYPE OF DRUGS BEFORE OR DURING SHOOTING.**

Your vision, motor skills and judgment could be dangerously impaired, making your gun handling unsafe to you and to others.

**23 READ AND HEED ALL WARNINGS IN THIS OWNER'S MANUAL, ON AMMUNITION BOXES AND WITH ALL ACCESSORIES THAT YOU INSTALL ON YOUR FIREARM.**

It is your responsibility to secure the most up-to-date information on the safe handling procedures of your Winchester firearm. We assume no liability for incidents which occur when unsafe or improper firearm accessories or ammunition combinations are used.

**24 PRACTICE PERIODIC MAINTENANCE, AVOID UNAUTHORIZED SERVICING.**

Your firearm is a mechanical device which will not last forever, and as such, is subject to wear and requires periodic inspection, adjustment and service. Winchester firearms should be serviced by a Winchester Repeating Arms Authorized Repair Center or by our Service Facility in Arnold, Missouri. We assume no responsibility for injuries suffered or caused by unauthorized servicing, alterations or modifications of Winchester firearms.

**25 DO NOT, UNDER ANY CIRCUMSTANCES, ALTER THE TRIGGER, “SAFETY” OR OTHER PARTS OF THE FIRING MECHANISM OF THIS OR ANY OTHER FIREARM EXCEPT AS OTHERWISE DESCRIBED IN THIS MANUAL.**

We reserve the right to refuse service on firearms that have been altered, added to or substantially changed. Removal of metal from the barrel, or modifications of the firing mechanism and/or operating parts may lead to a refusal of service on such firearms. You will be charged for parts and labor to return the firearm to original specifications prior to servicing your firearm.

With respect to **AFTERMARKET PARTS OR COMPONENTS** (including, for example, aftermarket trigger systems, barrels, muzzle brakes, suppressors, magazines, etc.), **USE AT YOUR OWN RISK**. Winchester firearms are designed and engineered to meet stringent safety standards. Winchester Repeating Arms is not responsible for personal injuries or property damage caused by alterations to a firearm. This includes the incorporation of aftermarket parts or components that may or may not satisfy Sporting Arms and Ammunition Manufacturers’ Institute (SAAMI) standards (for example, an aftermarket trigger system may not satisfy SAAMI minimum trigger pull standards, etc.) or may create other dangerous conditions. These conditions may or may not be apparent to the user (for example, installing an aftermarket barrel may have the effect of altering

critical firearm dimensions, including headspace, and may create an unsafe firing condition, etc.). Aftermarket parts or components that do not satisfy SAAMI standards, or that could create other dangerous conditions, should not be used.

**FAILURE TO FOLLOW THIS WARNING COULD RESULT IN SERIOUS INJURY OR DEATH, AS WELL AS CAUSE DAMAGE TO YOUR FIREARM.**

## **BE CAREFUL!**

### GENERAL DESCRIPTION AND OPERATION

#### *GENERAL DESCRIPTION*

The Winchester Wildcat is made from lightweight, tough composites and rugged steel using the most modern manufacturing methods. The Wildcat is sure to meet your shooting expectations.

#### *GENERAL OPERATION*

The Winchester Wildcat is an autoloading rifle that utilizes a straight blow-back design for simplicity and reliability. Cartridges are fed from a detachable magazine that makes loading the rifle fast and easy.

With the chamber and magazine loaded and the “safety” in the off safe or fire position, the rifle will fire a single cartridge with each successive pull of the trigger until the chamber and magazine are empty. When using



**FIGURE 1**



Winchester Wildcat magazines, the bolt is designed to stay open after the last cartridge has been fired.

Prior to using live ammunition, familiarize yourself thoroughly with the operating instructions in this owner's manual. Get accustomed to the feel of your new firearm and know the forces required to operate the action. Learn how to pull the trigger and, above all, know the location and operation of the "safety." Procedures for disassembly and operation of various components are outlined later in this owner's manual. Please read and study them thoroughly.

### NOMENCLATURE

In conventional firearm terminology the position and movement of firearm parts are described as they occur with the firearm horizontal and in the normal firing

position: i.e., the muzzle is forward or in front; the buttstock is rearward or to the rear; the trigger is downward or underneath; the sight is upward or on top. For general parts nomenclature, refer to Figure 1 on page 7. Figure 5 on pages 10 and 11 covers the general features and benefits of the Wildcat design.

Throughout this owner's manual the "action" refers to the mechanism of this rifle which loads and secures the cartridges in the chamber.

### SERIAL NUMBER

The serial number is located on the right side of the receiver, just below the side magazine release. Record the serial number at the front of this owner's manual for future reference.

## INITIAL CLEANING AND OILING

---

### **▲WARNING**

**WEAR EYE PROTECTION WHEN ASSEMBLING AND DISASSEMBLING YOUR RIFLE TO PREVENT SPRINGS, SPRING-LOADED PARTS, SOLVENTS OR OTHER AGENTS FROM CONTACTING YOUR EYES, RESULTING IN INJURY.**

Some metal parts of your new firearm have been coated at the factory with a rust preventative compound. Before using your firearm, clean the anti-rust compound from the inside of the barrel, receiver, bolt mechanism and the action/chamber areas. A high quality, lightweight gun oil should be used to remove this compound and to give your new firearm its first lubrication. Clean the barrel using a cleaning rod and patch as explained under “Cleaning and Maintenance Suggestions” on pages 22-25 in this owner’s manual.

Apply a few drops of quality oil on the surfaces shown in Figure 18 and Figure 19 on page 26. Avoid applying too much oil. Only a light film is necessary. Excessive oil should be wiped off, especially in cold weather.

## OPERATION OF THE “SAFETY”

---

### **▲WARNING**

**ALWAYS KEEP THE “SAFETY” IN THE ON SAFE POSITION UNLESS SHOOTING IS IMMINENT. ALWAYS KEEP THE MUZZLE POINTED IN A SAFE DIRECTION. FAILURE TO**

**FOLLOW THESE WARNINGS COULD RESULT IN SERIOUS INJURY OR DEATH.**

The “safety” is located at the rear of the trigger guard. In the off safe position, a red warning band is visible on the “safety” button on the left side of the trigger guard. It is essential that you become very familiar with the feel, look and operation of the “safety” on this rifle before attempting to load and shoot.

The “safety” on this rifle is reversible for right- or left-hand operation. It comes from the factory in the right-hand position. Verify the installation of your firearm’s “safety.” Instructions in this owner’s manual are for the “safety” installed in the right-hand position.

To place the firearm on safe, press the “safety” button to the right (Figure 2, page 9). With the “safety” in the on safe position the trigger is blocked and the rifle cannot be fired.

To move the “safety” to the off safe or fire position, press the “safety” button to the left. This exposes the red warning band on the “safety” button (Figure 3, page 9). In the off safe position, if your firearm is loaded with a cartridge in the chamber, the chambered cartridge can be fired by simply pulling the trigger.

### **▲WARNING**

**DO NOT DEPEND ON THE RED COLOR ALONE TO INDICATE YOUR FIREARM’S “SAFETY” STATUS. TIME, EXPOSURE TO THE ELEMENTS AND THE ABRASIVE**

**FIGURE 2**



**FIGURE 3**



**FIGURE 4**



**ACTION OF CLEANING AGENTS CAN ERASE IT. FAILURE TO FOLLOW THIS WARNING COULD RESULT IN SERIOUS INJURY OR DEATH.**

The “safety” mechanism, when in the on safe position, is designed to prevent firing. However, this mechanism will not necessarily prevent the accidental discharge of this firearm as a result of jarring or abuse such as occurs when a firearm is dropped.

At all times, keep the “safety” in the on safe position and the barrel pointed in a safe direction. It is advisable to never load your rifle until you are at the location you intend to begin hunting or you are at a range and it is clear to shoot. For extra safety on a range, and as a

courtesy to others, fully unload the rifle and keep the action in the open position at all times other than when it is clear to shoot.

**BOLT LOCK AND BOLT RELEASE**

The bolt of the Wildcat is designed to lock to the rear when the last cartridge in the factory magazine has been fired. The bolt can also be locked to the rear manually, at any time, by pulling the bolt handle completely rearward and engaging the bolt lock located in front of the trigger guard (Figure 4, page 9).

To release the bolt to the closed position when the bolt is locked to the rear, use the bolt release (Figure 6, page 12)

(Continued on page 12.)

**FIGURE 5**



*The lower receiver assembly is easily removed from the upper cover. This facilitates easy cleaning and maintenance and allows the barrel to be cleaned from the breech.*

*A ghost ring rear sight aids in rapid target acquisition without sacrificing accuracy.*

*The lightweight polymer upper cover features an integrated Picatinny optics rail for optical or electronic sights.*



*The stock is constructed from a rugged, lightweight polymer. The design eliminates excess weight and features a trim pistol grip that is ideal for hands of all sizes. In-molded sling swivel studs are also featured.*

*The detachable rotary magazine uses a torsion spring and follower design that is easy to load and enhances reliability. The Wildcat will also accept magazines compatible with the Ruger® 10/22. (The last round bolt hold open feature does not function when used with aftermarket magazines.)*



# WILDCAT™

## RIFLE FEATURES



*A Picatinny rail and integrated sling swivel stud are located under the removable fore-end cap.*

located on the left side of the receiver. When the bolt release is pressed downward, the bolt is released and will close under spring pressure.

**▲WARNING**

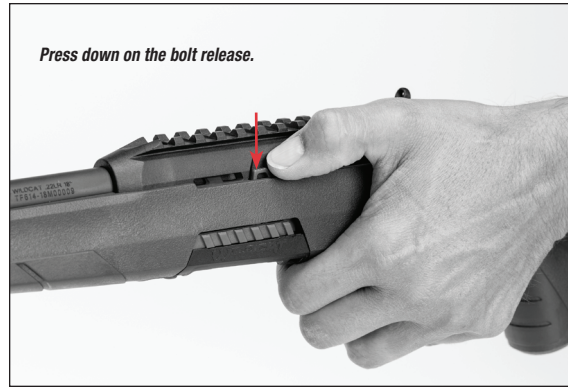
**MAKE SURE YOUR FINGERS ARE SAFELY AWAY FROM THE CHAMBER WHEN THE BOLT IS RELEASED TO AVOID PINCHING THEM WHEN THE BOLT CLOSSES.**

Additionally, if the bolt is locked in the open position when there is no magazine in the rifle or, when there is a loaded magazine in the rifle, the bolt can also be released from the open to the closed position by pulling the bolt handle fully rearward and releasing it.

**▲WARNING**

**BE AWARE THAT IF THE BOLT IS MOVED TO THE CLOSED POSITION WHEN A LOADED MAGAZINE IS PRESENT, THE RIFLE IS NOW READY TO FIRE BY MOVING THE “SAFETY” TO THE OFF SAFE POSITION AND/OR PULLING THE TRIGGER. WHEN OPERATING THE BOLT, ALWAYS KEEP THE MUZZLE POINTED IN A SAFE DIRECTION, ALWAYS ENSURE THE “SAFETY” IS IN THE ON SAFE POSITION AND KEEP YOUR FINGERS AWAY FROM THE TRIGGER UNTIL YOU ARE READY TO FIRE. FAILURE TO FOLLOW THESE WARNINGS COULD RESULT IN SERIOUS INJURY OR DEATH.**

**FIGURE 6**



---

**AMMUNITION**

**▲WARNING**

**DISCHARGING FIREARMS IN POORLY VENTILATED AREAS, CLEANING FIREARMS OR HANDLING AMMUNITION MAY RESULT IN EXPOSURE TO LEAD AND OTHER SUBSTANCES KNOWN TO CAUSE BIRTH DEFECTS, REPRODUCTIVE HARM AND OTHER SERIOUS PHYSICAL INJURY. HAVE ADEQUATE VENTILATION AT ALL TIMES. WASH HANDS THOROUGHLY AFTER EXPOSURE.**

**DO NOT USE AMMUNITION OTHER THAN WHAT IS INSCRIBED ON THE LEFT SIDE OF THE BARREL. EXAMINE EVERY CARTRIDGE YOU PUT IN YOUR FIREARM.**

The barrel and action of this firearm have been made with safety margins over the pressures established by the Sporting Arms and Ammunition Manufacturers' Institute (SAAMI) for Service Cartridges. However, we assume no responsibility for incidents which occur through the use of cartridges of nonstandard dimension or those developing pressures in excess of SAAMI established standards.

## MAGAZINE

The Wildcat utilizes a detachable rotary magazine that uses a torsion drive spring and follower design for smooth, reliable feeding. The factory magazine capacity for the Wildcat is 10 cartridges. When using factory magazines designed for the Winchester Wildcat, the bolt is designed to lock in the open position after the last round has been fired.

In addition to the factory magazines, the Wildcat will also accept magazines compatible with the Ruger® 10/22.

### **NOTICE**

**IF A MAGAZINE OTHER THAN THE FACTORY WILDCAT MAGAZINE IS USED, BE AWARE THAT THE LAST ROUND BOLT HOLD OPEN FEATURE WILL NOT FUNCTION.**

It is extremely important that you know the magazine capacity of your rifle. Under appropriate circumstances, at a range or other suitable shooting location, load your

magazine to full capacity and confirm the number of cartridges. Remember, "total" capacity includes an additional round which can be loaded into the chamber in addition to a full magazine.

### **▲WARNING**

**AFTER THE LAST CARTRIDGE HAS BEEN FIRED, OR WHEN SHOOTING IS NO LONGER IMMINENT, IMMEDIATELY PLACE THE "SAFETY" IN THE ON SAFE POSITION. FAILURE TO FOLLOW THESE WARNINGS COULD RESULT IN SERIOUS INJURY OR DEATH.**

**EVEN WITH THE BOLT OPEN AFTER SHOOTING, DO NOT ASSUME THE RIFLE IS UNLOADED. ALWAYS INSPECT THE CHAMBER, BARREL, FEED MECHANISM AND MAGAZINE TO BE CERTAIN THE RIFLE IS COMPLETELY UNLOADED. FAILURE TO FOLLOW THESE WARNINGS COULD RESULT IN SERIOUS INJURY OR DEATH.**

**REMOVING THE MAGAZINE FROM THE RIFLE DOES NOT PREVENT THE RIFLE FROM BEING FIRED. IF A CARTRIDGE IS IN THE CHAMBER, THE "SAFETY" IS IN THE OFF SAFE POSITION, AND THE TRIGGER IS PULLED, THE RIFLE WILL FIRE EVEN IF NO MAGAZINE IS PRESENT IN THE RIFLE.**

## LOADING

### **⚠WARNING**

**WHEN LOADING YOUR RIFLE ALWAYS KEEP THE MUZZLE POINTED IN A SAFE DIRECTION, ALWAYS PLACE THE “SAFETY” IN THE ON SAFE POSITION AND KEEP YOUR FINGERS AWAY FROM THE TRIGGER. FAILURE TO FOLLOW THESE WARNINGS COULD RESULT IN SERIOUS INJURY OR DEATH.**

**TO AVOID ACCIDENTAL DISCHARGE, DO NOT CARRY YOUR RIFLE WITH A CARTRIDGE IN THE CHAMBER. WHEN FIRING IS NO LONGER IMMINENT, PLACE THE “SAFETY” IN THE ON SAFE POSITION, EJECT THE MAGAZINE, OPEN THE BOLT AND PRESS THE BOLT LOCK TO LOCK THE BOLT IN THE OPEN POSITION. UNLOAD THE CHAMBER. FAILURE TO FOLLOW THESE WARNINGS COULD RESULT IN SERIOUS INJURY OR DEATH.**

### REMOVING AND LOADING THE MAGAZINE

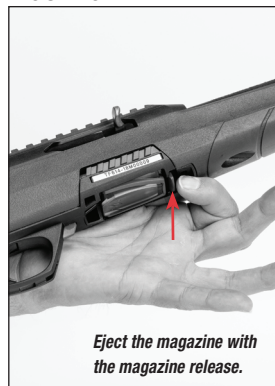
1. Place the “safety” in the on safe position.
2. Eject the magazine from the rifle using one of the two magazine release methods to activate the magazine catch. The magazine will drop into your hand using either method.

The first method to operate the magazine catch is by sliding both side releases, located on the sides of the rifle above the magazine, rearward (Figure 7, page 14).

**FIGURE 7**



**FIGURE 8**

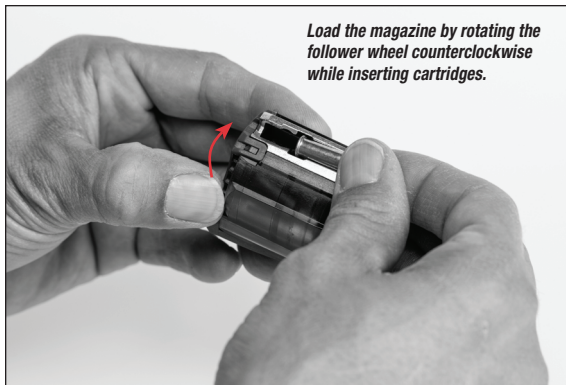


The second method used to eject the magazine is to use your index finger to pull the magazine release, located on the forward edge of the magazine well, to the rear (Figure 8, page 14).

3. Pull the bolt handle completely rearward and inspect the chamber to make sure it is empty. You may now either place the bolt in the closed position by using the bolt handle to ease it forward or, you may choose to lock the bolt in the open position by pulling the bolt handle completely rearward and engaging the bolt lock located in front of the trigger guard.
4. Use your thumb to rotate the follower wheel located on the right rear side of the magazine



**FIGURE 9**



counterclockwise and insert the cartridge, base first, into the magazine (Figure 9, page 15). Rotate the follower wheel to the next position and load another cartridge. Continue to load the magazine in this manner.

Care should be exercised in positioning each cartridge so that its base is flush with the rear of the magazine. If the nose of a cartridge protrudes beyond the front of the magazine, it could cause feeding problems or interfere with the insertion of the magazine into the rifle.

**NOTICE**

**IF THE NOSE OF A CARTRIDGE PROTRUDES BEYOND THE FRONT OF THE MAGAZINE, IT COULD CAUSE FEEDING PROBLEMS OR INTERFERE WHEN INSERTING THE MAGAZINE INTO THE RIFLE.**

**LOADING THE CHAMBER FROM THE MAGAZINE**

1. Place the “safety” in the on safe position.
2. If a magazine is in the magazine well, eject the magazine as explained previously.
3. Pull the bolt handle completely rearward and inspect the chamber to make sure it is empty. You may now either place the bolt in the closed position by using the bolt handle to ease it forward or, you may choose to lock the bolt in the open position by pulling the bolt handle completely rearward and engaging the bolt lock located in front of the trigger guard.
4. Load the magazine as explained previously.
5. Insert the loaded magazine into the magazine well until it is retained in place by the magazine catch.
6. Regardless of whether the bolt is in the closed position or locked in the open position, you may load the chamber by pulling the bolt fully rearward and releasing it.

Or, if the bolt is locked in the open position, you may press down on the bolt release located on the left side of the receiver. When the bolt release

is pressed downward, the bolt is released and will close under spring pressure. The bolt will pick up the first cartridge in the magazine and load it into the chamber.

**⚠WARNING**

**MAKE SURE YOUR FINGERS ARE SAFELY AWAY FROM THE CHAMBER WHEN THE BOLT IS RELEASED TO AVOID PINCHING THEM WHEN THE BOLT CLOSSES.**

**⚠WARNING**

**THE RIFLE IS NOW READY TO FIRE BY SIMPLY MOVING THE “SAFETY” TO THE OFF SAFE POSITION AND PULLING THE TRIGGER.**

7. Immediately verify that the “safety” is in the on safe position.

**LOADING THE RIFLE TO FULL CAPACITY**

1. Place the “safety” in the on safe position.
2. If a magazine is in the magazine well, eject the magazine as explained previously.
3. Pull the bolt handle completely rearward and inspect the chamber to make sure it is empty. You may now either place the bolt in the closed position by using the bolt handle to ease it forward or, you may choose to lock the bolt in the open position by pulling the bolt handle completely rearward and engaging the bolt lock located in front of the trigger guard.

4. Load the magazine as explained previously.
5. Insert the loaded magazine into the magazine well until it is retained in place front and rear.
6. Regardless of whether the bolt is in the closed position or locked in the open position, you may load the chamber by pulling the bolt fully rearward and releasing it.

Or, if the bolt is locked in the open position, you may press down on the bolt release located on the left side of the receiver. When the bolt release is pressed downward, the bolt is released and will close under spring pressure. The bolt will pick up the first cartridge in the magazine and load it into the chamber.

**⚠WARNING**

**MAKE SURE YOUR FINGERS ARE SAFELY AWAY FROM THE CHAMBER WHEN THE BOLT IS RELEASED TO AVOID PINCHING THEM WHEN THE BOLT CLOSSES.**

**⚠WARNING**

**THE RIFLE IS NOW READY TO FIRE BY SIMPLY MOVING THE “SAFETY” TO THE OFF SAFE POSITION AND PULLING THE TRIGGER.**

7. Immediately verify that the “safety” is in the on safe position.
8. Eject the magazine from the rifle.

9. Load a single cartridge into the magazine as explained previously.
10. Insert the loaded magazine into the magazine well until it is retained in place by the magazine catch.

#### ***SINGLE-SHOT LOADING FROM THE MAGAZINE***

If you wish to fire a single shot from your rifle, it is recommended that you use the following loading procedure.

1. Place the “safety” in the on safe position.
2. Remove the magazine from the rifle as explained on pages 14-15.
3. Pull the bolt handle completely rearward and inspect the chamber to make sure it is empty. You may now either place the bolt in the closed position by using the bolt handle to ease it forward or, you may choose to lock the bolt in the open position by pulling the bolt handle completely rearward and engaging the bolt lock located in front of the trigger guard.
4. Load a single cartridge into the magazine.
5. Insert the magazine into the rifle.
6. Regardless of whether the bolt is in the closed position or locked in the open position, you may load the chamber by pulling the bolt fully rearward and releasing it.

Or, if the bolt is locked in the open position, you may press down on the bolt release located on the left side of the receiver. When the bolt release is pressed downward, the bolt is released and will close under spring pressure. The bolt will pick up the first cartridge in the magazine and load it into the chamber.

#### **▲WARNING**

**MAKE SURE YOUR FINGERS ARE SAFELY AWAY FROM THE CHAMBER WHEN THE BOLT IS RELEASED TO AVOID PINCHING THEM WHEN THE BOLT CLOSES.**

#### **▲WARNING**

**THE RIFLE IS NOW READY TO FIRE BY SIMPLY MOVING THE “SAFETY” TO THE OFF SAFE POSITION AND PULLING THE TRIGGER.**

7. Immediately verify that the “safety” is in the on safe position.

#### ***FIRING***

---

#### **▲WARNING**

**NEVER CHAMBER A CARTRIDGE OR MOVE THE “SAFETY” FROM THE ON SAFE POSITION UNLESS SHOOTING IS IMMINENT. ALWAYS KEEP THE MUZZLE POINTED IN A SAFE DIRECTION. FAILURE TO FOLLOW THESE WARNINGS COULD RESULT IN SERIOUS INJURY OR DEATH.**

1. Load a cartridge into the chamber as explained previously.
2. With a cartridge in the chamber, you need only move the “safety” to the off safe position to make the rifle ready for firing.
3. When ready to fire, move the “safety” to the off safe position, take aim and squeeze the trigger.
4. After a cartridge is fired, the bolt cycles rearward to eject the empty case, then returns forward, loading a cartridge from the magazine. You may continue to fire the rifle until the magazine is empty by pulling the trigger to fire each cartridge.

After the last cartridge is fired, if you are using factory Wildcat magazines, the bolt lock automatically holds the bolt in the open or rearward position. If you are using aftermarket magazines, the bolt will return to the closed position.

**⚠WARNING**

**AFTER THE LAST CARTRIDGE HAS BEEN FIRED, OR WHEN SHOOTING IS NO LONGER IMMINENT, IMMEDIATELY PLACE THE “SAFETY” IN THE ON SAFE POSITION. FAILURE TO FOLLOW THESE WARNINGS COULD RESULT IN SERIOUS INJURY OR DEATH.**

**EVEN WITH THE BOLT OPEN AFTER SHOOTING, DO NOT ASSUME THE RIFLE IS UNLOADED. ALWAYS INSPECT THE CHAMBER, BARREL, FEED MECHANISM AND**

**MAGAZINE TO BE CERTAIN THE RIFLE IS COMPLETELY UNLOADED. FAILURE TO FOLLOW THESE WARNINGS COULD RESULT IN SERIOUS INJURY OR DEATH.**

5. If firing is no longer imminent, remove the magazine. If using factory Wildcat magazines, the bolt will lock open. Inspect the chamber, barrel and magazine to be sure they contain no cartridges.

If you are using aftermarket magazines or, should the bolt not lock open when using factory Wildcat magazines, pull the bolt to the rear and use the bolt lock to lock the bolt open. Visually inspect the chamber, barrel and magazine to be sure they contain no cartridges.

## UNLOADING

**⚠WARNING**

**WHEN UNLOADING YOUR RIFLE ALWAYS PLACE THE “SAFETY” IN THE ON SAFE POSITION. KEEP THE MUZZLE POINTED IN A SAFE DIRECTION AND YOUR FINGERS AWAY FROM THE TRIGGER. FAILURE TO FOLLOW THESE WARNINGS COULD RESULT IN SERIOUS INJURY OR DEATH.**

**ALWAYS INSPECT THE CHAMBER, BARREL AND MAGAZINE CAREFULLY AFTER UNLOADING TO BE SURE ALL LIVE CARTRIDGES ARE CLEARED FROM THE FIREARM.**

**REMOVING THE MAGAZINE FROM THE RIFLE DOES NOT PREVENT THE RIFLE FROM BEING FIRED. IF A CARTRIDGE IS IN THE CHAMBER, THE "SAFETY" IS IN THE OFF SAFE POSITION, AND THE TRIGGER IS PULLED, THE RIFLE WILL FIRE EVEN IF NO MAGAZINE IS PRESENT IN THE RIFLE.**

#### *UNLOADING THE RIFLE*

1. Place the "safety" in the on safe position.
2. Eject the magazine from the rifle. Remember, merely removing the magazine does not mean the chamber is unloaded.
3. Pull back on the bolt handle to eject the cartridge in the chamber.
4. Lock the bolt to the rear by pushing the bolt lock up.
5. Inspect the chamber to ensure no cartridge is present.
6. When you are certain your rifle is fully unloaded, leave the bolt locked open or, if you are storing your rifle, close the bolt by pulling back on the bolt handle and releasing it or pushing down on the bolt release.

#### *UNLOADING THE MAGAZINE*

1. Press the magazine release and remove the magazine. Remember, merely removing the magazine does not mean the chamber is unloaded.
2. Unload the rifle as explained previously, making sure the chamber is completely unloaded.

3. Rotate the follower wheel counterclockwise slightly to relieve the pressure on the cartridge and allow it to fall out of the magazine. Perform this operation until all ammunition is removed from the magazine.
4. Unload any extra magazines in this manner.

#### *SIGHT ADJUSTMENT*

---

##### **▲WARNING**

**BEFORE PERFORMING SIGHT ADJUSTMENT PROCEDURES, PLACE THE "SAFETY" IN THE ON SAFE POSITION AND MAKE SURE YOUR RIFLE IS COMPLETELY UNLOADED. REMOVE THE MAGAZINE, CHECK THE ACTION AND CHAMBER FOR CARTRIDGES. KEEP THE MUZZLE POINTED IN A SAFE DIRECTION. FAILURE TO FOLLOW THESE WARNINGS COULD RESULT IN SERIOUS INJURY OR DEATH.**

The Wildcat features a fixed, blade-type front sight and a ghost ring rear sight that is adjustable for windage and elevation. A 1/20" hex wrench is necessary to adjust the rear sight. This tool is included with the rifle. It is stored on the right side of the lower receiver assembly. To remove the fire control group from the rifle, refer to "Cleaning Procedures" on pages 22-27. Adjust the rear sight as follows:

Windage: Adjustments are made by loosening the screw on the top of the rear sight (Figure 10, page 20) and sliding the ghost ring sight to the left or right. Move

the ghost ring sight in the direction you would like the point of impact to move. Carefully tighten the screw after adjusting.

Elevation: Adjustments are made by loosening the screw on the top of the rear sight. To raise the point of impact, slide the ghost ring sight forward. To lower the point of impact, slide the ghost-ring sight rearward.

### **NOTICE**

**TAKE CARE NOT TO OVERTIGHTEN THE REAR SIGHT SCREW, DAMAGE CAN OCCUR TO THE REAR SIGHT AND UPPER COVER.**

## MOUNTING A SCOPE

### **⚠WARNING**

**BEFORE INSTALLING A SCOPE OR OPTICAL SIGHT, PLACE THE “SAFETY” IN THE ON SAFE POSITION AND MAKE SURE YOUR RIFLE IS COMPLETELY UNLOADED. REMOVE THE MAGAZINE, CHECK THE ACTION AND CHAMBER FOR CARTRIDGES. KEEP THE MUZZLE POINTED IN A SAFE DIRECTION. FAILURE TO FOLLOW THESE WARNINGS COULD RESULT IN SERIOUS INJURY OR DEATH.**

The Wildcat includes an integral scope rail intended to be used with a scope or electronic sight (sold separately). Be sure to follow manufacturers’ mounting instructions that are included with any accessories you install on your rifle.

**FIGURE 10**



## INSTALLING ACCESSORIES ON THE FORE-END

### **⚠WARNING**

**BEFORE INSTALLING A SLING OR ACCESSORY TO YOUR RIFLE, PLACE THE “SAFETY” IN THE ON SAFE POSITION AND MAKE SURE YOUR RIFLE IS COMPLETELY UNLOADED. REMOVE THE MAGAZINE, CHECK THE ACTION AND CHAMBER FOR CARTRIDGES. KEEP THE MUZZLE POINTED IN A SAFE DIRECTION. FAILURE TO FOLLOW THESE WARNINGS COULD RESULT IN SERIOUS INJURY OR DEATH.**

If you wish to install an accessory such as a bipod, flashlight or sling on your Wildcat rifle, a small Picatinny-style rail is integrated on the front of the stock fore-end

**FIGURE 11**



and protected with a cover. The cover is easily removed by inserting a fingernail under a forward corner of the cover and lifting it from the rifle (Figure 11, page 21).

## **MUZZLE BRAKES AND SUPPRESSORS**

### **⚠WARNING**

**THE ADDITION OF A RECOIL REDUCING MUZZLE BRAKE SIGNIFICANTLY INCREASES NOISE AND MUZZLE BLAST. YOU, AND EVERYONE IN CLOSE PROXIMITY TO THE FIREARM, SHOULD ALWAYS WEAR HEARING PROTECTION TO HELP PREVENT HEARING LOSS OR DAMAGE AND SAFETY GLASSES TO HELP PREVENT DEBRIS FROM INJURING THE EYES.**

**WHEN USING A SUPPRESSOR, ALWAYS WEAR HEARING AND EYE PROTECTION. EVEN THOUGH SOUND IS REDUCED WHEN USING A SUPPRESSOR, THE NOISE LEVELS ARE STILL SIGNIFICANT ENOUGH TO CAUSE PERMANENT HEARING LOSS. BE AWARE THAT USING A SUPPRESSOR INCREASES THE BACK PRESSURE IN THE BARREL WHEN A CARTRIDGE IS FIRED. THE INCREASE IN BACK PRESSURE MAY CAUSE DEBRIS FROM THE CARTRIDGE TO EXIT THE EJECTION PORT OF THE FIREARM AND CONTACT YOUR EYES, EARS AND FACE, OR THOSE OF ANYONE IN CLOSE PROXIMITY TO THE FIREARM. THE INCREASE IN BACK PRESSURE MAY ALSO RESULT IN THE DEPOSIT OF ADDITIONAL DEBRIS IN YOUR FIREARM; ACCORDINGLY, AN ACCELERATED CLEANING SCHEDULE FOR YOUR FIREARM MAY BE NECESSARY.**

**ENSURE THAT ANY MUZZLE BRAKE OR SUPPRESSOR THAT YOU INTEND TO USE ON YOUR FIREARM IS DESIGNED FOR USE WITH YOUR FIREARM'S CALIBER. NEVER USE A MUZZLE BRAKE OR SUPPRESSOR THAT IS DESIGNED FOR RIMFIRE USE ONLY ON A CENTERFIRE FIREARM. BEFORE INSTALLING OR REMOVING A MUZZLE BRAKE OR SUPPRESSOR TO/ FROM YOUR FIREARM, READ THIS OWNER'S MANUAL AND ANY OWNER'S MANUAL INCLUDED WITH THE DEVICE, AND PRECISELY FOLLOW ALL INSTALLATION AND MAINTENANCE INSTRUCTIONS PROVIDED BY THE SUPPRESSOR OR MUZZLE BRAKE MANUFACTURER.**

**DURING INSTALLATION OR REMOVAL, ALWAYS KEEP THE MUZZLE POINTED IN A SAFE DIRECTION AND MAKE CERTAIN THAT THE FIREARM IS COMPLETELY UNLOADED, WITH THE MAGAZINE REMOVED AND THE ACTION IN THE OPEN POSITION.**

**PERIODICALLY CHECK THE MUZZLE BRAKE OR SUPPRESSOR TO ASSURE THAT IT IS TIGHT AND FIRMLY SEATED. BEFORE CHECKING, FOLLOW ALL SAFETY GUIDELINES PREVIOUSLY OUTLINED. ENSURE THE MUZZLE BRAKE OR SUPPRESSOR IS COOL BEFORE TOUCHING IT.**

**FAILURE TO FOLLOW THESE WARNINGS MAY RESULT IN INJURY OR DEATH TO YOU OR THOSE AROUND YOU!**

Most Winchester rifles equipped with a muzzle brake also include a thread protector that can be installed in place of the muzzle brake. Whether using the thread protector, muzzle brake or suppressor, be aware that your firearm's point of impact may change as the harmonics of the barrel are affected when changing the weight at the end of the barrel.

## **CLEANING AND MAINTENANCE SUGGESTIONS**

---

### **▲WARNING**

**BEFORE PERFORMING CLEANING PROCEDURES, PLACE THE "SAFETY" IN THE ON SAFE POSITION. REMOVE THE MAGAZINE, OPEN THE ACTION AND MAKE**

**CERTAIN YOUR RIFLE IS COMPLETELY UNLOADED. KEEP THE MUZZLE POINTED IN A SAFE DIRECTION. FAILURE TO FOLLOW THESE WARNINGS COULD RESULT IN SERIOUS INJURY OR DEATH.**

### **▲WARNING**

**WEAR EYE PROTECTION WHEN DISASSEMBLING AND CLEANING YOUR RIFLE TO PREVENT SPRINGS, SPRING-LOADED PARTS, SOLVENTS OR OTHER AGENTS FROM CONTACTING YOUR EYES, RESULTING IN INJURY.**

### **▲WARNING**

**KEEP ALL AMMUNITION AWAY FROM THE CLEANING AREA. NEVER TEST THE MECHANICAL FUNCTION OF YOUR RIFLE WITH LIVE AMMUNITION. FAILURE TO FOLLOW THESE WARNINGS COULD RESULT IN SERIOUS INJURY OR DEATH.**

## **CLEANING PROCEDURES**

Your Wildcat rifle will function better and more reliably over a longer period of time if it is properly maintained and kept clean. Clean your firearm after every day of shooting, and more often if it becomes excessively dirty. A minimum cleaning includes wiping down the firearm and oiling key parts. Regular maintenance also includes cleaning the barrel.

If you encounter a function problem be sure to give your firearm a thorough cleaning to see if it solves the problem



**FIGURE 12**

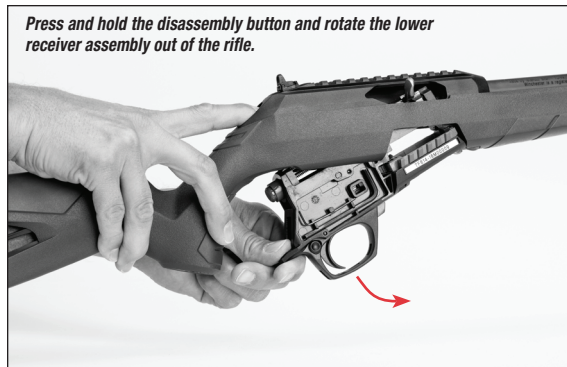


before seeking the services of a Winchester Authorized Repair Center or our Service Facility in Arnold, Missouri or a qualified gunsmith.

An advantage of the Winchester Wildcat over other autoloading rimfire rifles is the ability to clean the barrel from the breech end instead of at the muzzle. Cleaning from the breech helps prevent striking and damaging the muzzle crown and degrading accuracy.

1. Place the “safety” in the on safe position.
2. Remove the magazine.
3. Pull the bolt handle rearward and visually inspect the chamber to be certain it is empty. Allow the bolt to close.

**FIGURE 13**



4. **AFTER VERIFYING THAT THE CHAMBER IS EMPTY OF ANY AMMUNITION**, point the rifle in a safe direction, place the “safety” in the off safe position and squeeze the trigger to dry fire the rifle. Dry firing releases the spring pressure on the disassembly button to make disassembly easier.
5. Locate the disassembly button located to the rear of the action (Figure 12, page 23).
6. Press and hold the disassembly button at the rear of the action until the retainer is clear of the upper cover while pulling the trigger guard away from the stock. Notice that the bolt handle pivots to allow the bolt handle to fit through the ejection port (Figure 13, page 23).

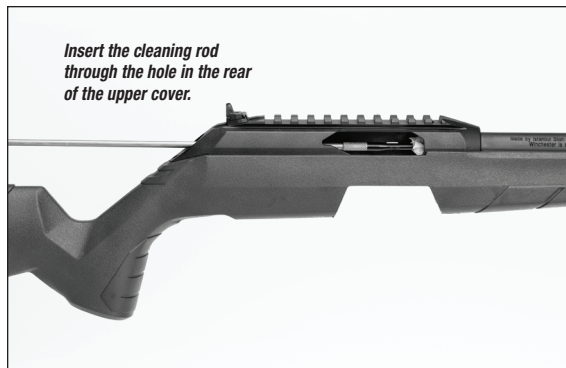
Continue to pivot the fire control group until it is free of the rifle. The bolt handle may need to be moved slightly to allow it to pass through the ejection port.

7. Clean the bore using a rifle cleaning rod with a tip and a patch made for 22 caliber rifles. Ordinarily a lightweight, high-quality gun oil will suffice for cleaning the bore. Carefully insert the rod and patch through the hole at the rear of the receiver and run it back and forth several times (Figure 14, page 24). Do not allow the cleaning rod to strike the crown of the muzzle, as damage to this area can affect the accuracy of your rifle. Depending on the amount of use, the bore may need to be cleaned with a high quality nitro solvent.

Inspect the chamber and bore for powder fouling. A normal amount of powder residue can be expected and is not serious. It can usually be removed with a patch saturated with nitro solvent. If, or when, fouling should become heavy, it can be removed with a brass bore brush. Dip or spray the brush with nitro solvent and scrub the chamber and bore until the fouling is removed. To prevent brass bristles from breaking off, the brush should be pushed completely through the barrel before being withdrawn.

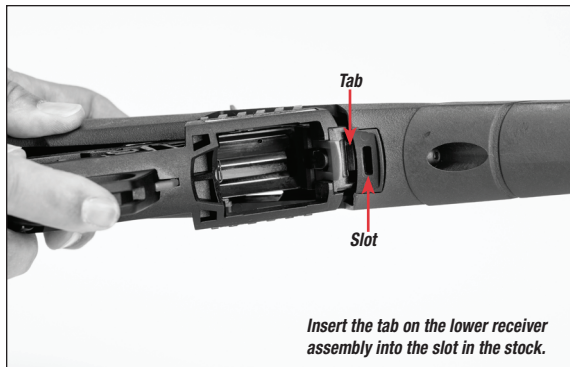
8. After all fouling has been removed, the chamber and bore should be wiped dry. When the bore is dry, pass a slightly oiled patch through it for preservation. A fine, light gun oil is recommended.

**FIGURE 14**



9. Inspect the barrel and chamber to be certain no patches have inadvertently been left in them. Remove any that remain.
10. Wipe all exposed metal surfaces with a lightly oiled cloth making certain that all finger marks are removed. Finger marks provide a place where moisture can accumulate. The metal of the gun should receive a light film of oil any time the rifle has been exposed to weather or handling.
11. If you are finished cleaning the rifle, install the lower receiver assembly by placing the tab located at the front of the lower receiver assembly into the slot in the front of the opening in the stock (Figure 15, page 25) and rotate the lower assembly into the upper

**FIGURE 15**

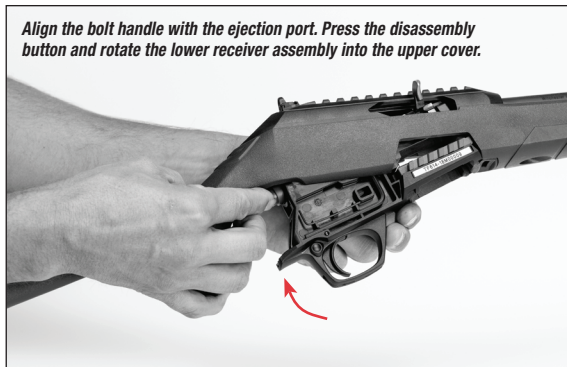


cover. Guide the bolt handle through the ejection port. Press the disassembly button and rotate the lower receiver assembly completely into the upper cover until the retainer button locks into place (Figure 16, page 25).

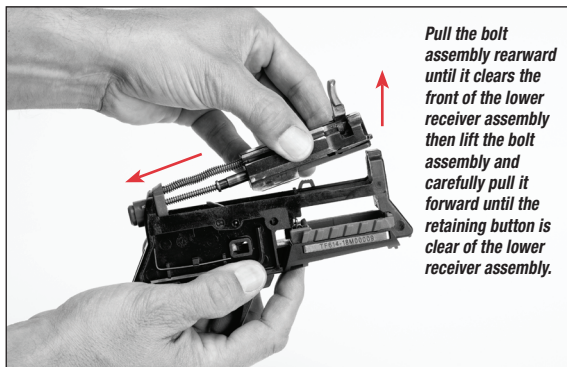
#### **CLEANING THE LOWER RECEIVER ASSEMBLY**

1. Remove the lower receiver assembly as explained in Steps 1-7 in "Cleaning Procedures" on pages 22-25.
2. Pull the bolt assembly to the rear until it clears the front of the lower receiver assembly then carefully lift the bolt assembly from the lower receiver assembly (Figure 17, page 25).

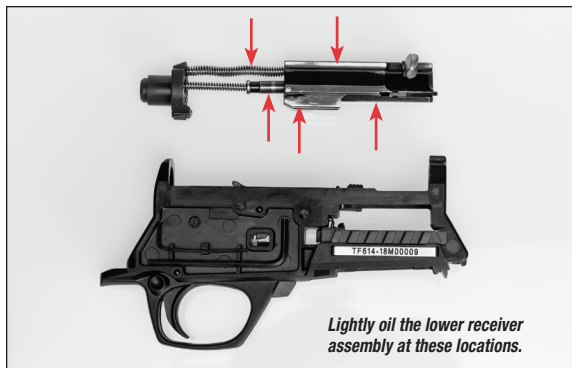
**FIGURE 16**



**FIGURE 17**



**FIGURE 18**



3. Use a metal and polymer-safe, aerosol gun cleaning solvent and spray the lower assembly and bolt assembly thoroughly to loosen debris.

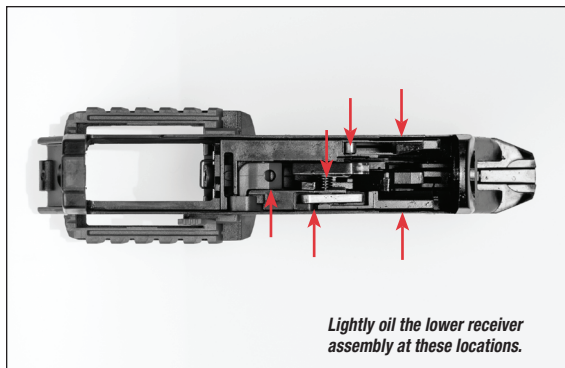
Use a small brush or rag to remove dirt or other foreign matter from inside the upper cover, lower assembly and bolt assembly.

Lightly lubricate the lower receiver assembly and bolt assembly with a drop of high-quality, lightweight gun oil at the areas shown in Figure 18 and Figure 19 on page 26. Use oil sparingly; a very light film is sufficient.

**NOTICE**

**DO NOT POUR LARGE QUANTITIES OF OIL INTO THE RECEIVER OR OTHER PARTS.**

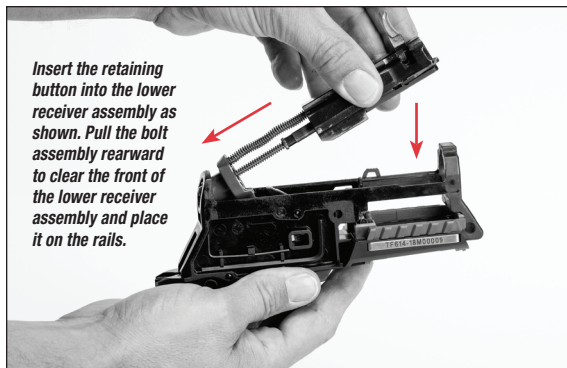
**FIGURE 19**



4. Assemble the lower receiver assembly by placing the disassembly button with the notch facing down into the hole in the lower assembly as shown in Figure 20 on page 27. Ensure that the disassembly button is fully seated rearward against the lower receiver assembly. Push the bolt assembly rearward and lower it into position when it clears the front of the lower assembly.
5. If you are finished cleaning the rifle, install the lower receiver assembly by placing the tab located at the front of the lower receiver assembly into the slot in the front of the opening in the stock. Align the bolt handle with the ejection port and rotate the lower receiver assembly into the upper cover.

Press the disassembly button and rotate the lower

**FIGURE 20**



receiver assembly completely into the upper cover until the retainer button locks into place.

### CLEANING THE MAGAZINE

Frequently inspect magazines to determine the need for cleaning as lubricant and dirt will gradually collect in the mechanism. Normally, the magazine should be cleaned after firing 500 to 1,000 cartridges.

#### **NOTICE**

### **DO NOT DISASSEMBLE THE MAGAZINE.**

1. Clean the magazine by spraying it with a metal and polymer-safe gun cleaning solvent. Spray the magazine with this solvent, both inside and out, to loosen debris.

2. Place your finger over the loading port and shake it vigorously (with the loading port away from you) to remove solvent and residue from the magazine.
3. Use compressed air to dry the magazine or allow it to air dry.

#### **NOTICE**

**NEVER ATTEMPT TO TAKE YOUR FIREARM APART FURTHER THAN EXPLAINED IN THIS OWNER'S MANUAL. YOUR FIREARM IS A SPECIALIZED, FINELY FITTED MECHANISM. YOU MAY PERMANENTLY DAMAGE IT BY ATTEMPTING TO DISASSEMBLE THE INNER MECHANISM. IF FURTHER DISASSEMBLY FOR SERVICE OR CLEANING IS REQUIRED, TAKE YOUR FIREARM TO A QUALIFIED GUNSMITH, OR CONTACT OUR ARNOLD, MISSOURI SERVICE FACILITY AS EXPLAINED UNDER "PARTS, SERVICE, REPAIR AND QUESTIONS" ON PAGES 27-28.**

### **PARTS, SERVICE, REPAIR AND QUESTIONS**

If your Winchester firearm should require service or repair, we suggest first contacting a Winchester Repeating Arms Authorized Repair Center. To locate an Authorized Repair Center visit [winchesterguns.com](http://winchesterguns.com), contact our customer service department or ask your local Winchester Repeating Arms dealer. You may also send your firearm to the Winchester Repeating Arms Service Facility in Arnold, Missouri. In order to avoid service delays, do not

send your firearm directly to our service facility without authorization from one of our service specialists.

Parts listings, a list of Authorized Repair Centers, service procedures, service/repair form and general product information are on the web at [winchesterguns.com](http://winchesterguns.com).

When returning your firearm for servicing, you must do the following:

1. Be sure it is completely unloaded.
2. Remove any optics, optic mounts or other accessories.
3. Package it securely in a cardboard container.
4. Enclose the service/repair form available at [winchesterguns.com](http://winchesterguns.com) or a letter that clearly describes the trouble experienced, the ammunition used and the repairs desired. Also include your name, email address (if possible) and a daytime phone number where you can be reached.
5. Never return ammunition with your firearm. It is against postal and most commerce regulations.

#### **PARTS, SERVICE, REPAIR STATUS AND TECHNICAL QUESTIONS**

**Winchester Repeating Arms  
Parts and Service**  
3005 Arnold Tenbrook Road  
Arnold, MO 63010-9406  
(800) 322-4626

#### **GENERAL PRODUCT AND HISTORICAL QUESTIONS**

##### **Winchester Repeating Arms**

##### **Customer Service**

275 Winchester Avenue  
Morgan, UT 84050-9333  
(800) 945-5237  
[customersupport@winchesterguns.com](mailto:customersupport@winchesterguns.com)

#### **⚠WARNING**

**PARTS ARE MADE FOR WINCHESTER BRAND FIREARMS MANUFACTURED BY OR FOR WINCHESTER REPEATING ARMS, AND SHOULD NOT BE USED IN OTHER FIREARMS, EVEN THOUGH MODELS MAY BE SIMILAR. IMPROPERLY FITTED PARTS MAY BE DANGEROUS. FAILURE TO FOLLOW THIS WARNING MAY CAUSE INJURY OR DEATH AND CAUSE DAMAGE TO YOUR FIREARM.**

#### **WEBSITE INFORMATION**

An information resource for Winchester Repeating Arms can be found online.

- List of Authorized Repair Centers.
- Customer Service information.
- Firearm Service/Repair Form.
- Answers to many technical and historical questions.
- Links to helpful sites.

**Go to [winchesterguns.com](http://winchesterguns.com)**



Winchester Repeating Arms

275 Winchester Avenue

Morgan, UT, U. S. A. 84050-9333

[winchesterguns.com](http://winchesterguns.com)

AO1908/18095

Winchester is a registered trademark of Olin Corporation.